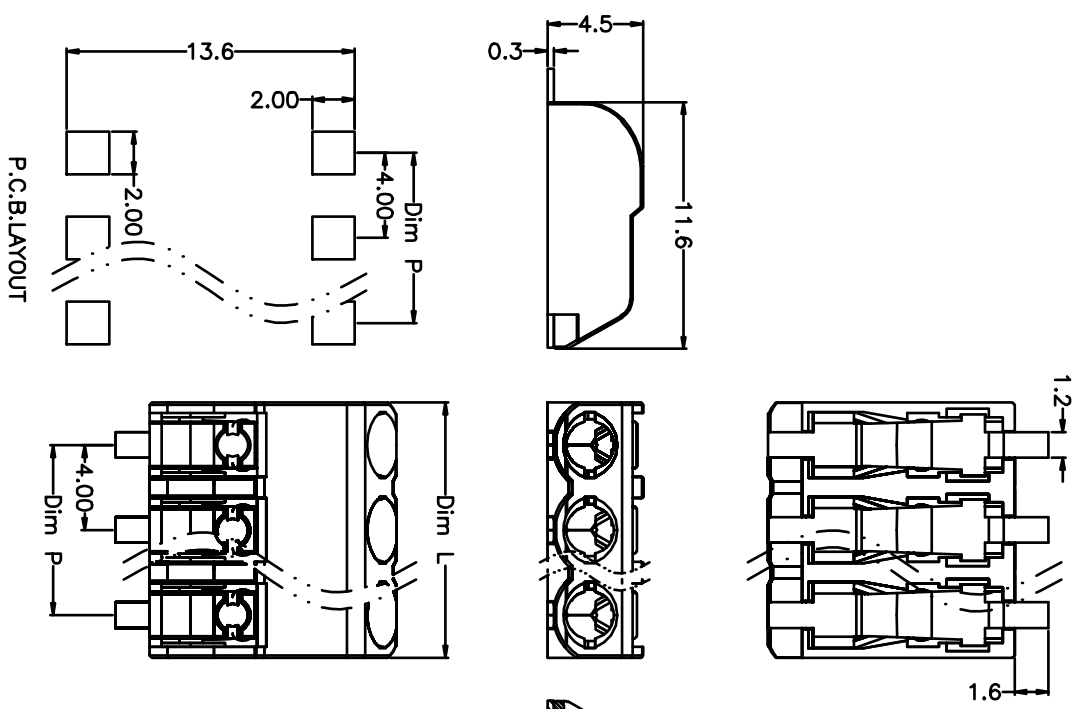


REV.	DESCRIPTION	DATE	DRAWN	APPROVED
A1	DWG.REL	2016/10/7	FANG	YANG

N=Number of Poles
 Dim P=(N-1)x4.00
 Dim L=Nx4.00

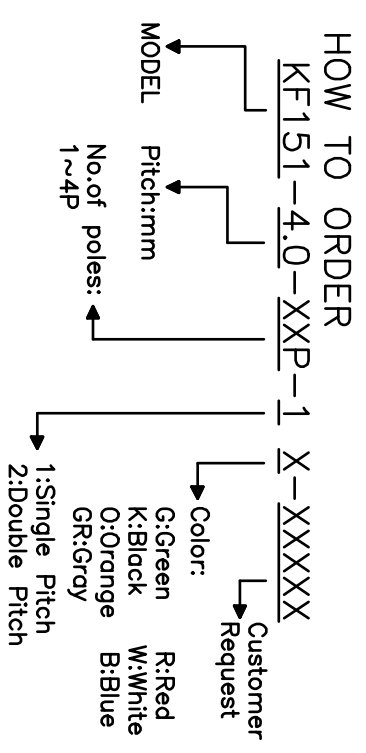
Poles	Dim	Dim P	Dim L
1-4P		±0.10	±0.15



- Material
 ①Button : PA46, UL94V-0
 ②Pin header : Phosphor bronze, Tin plated

- Electrical IEC UL
 Rated voltage : 250V 150V
 Rated current : 9A 7A
 Insulation resistance: 500MΩ/DC500V
 Withstanding Voltage : AC1500V/1min
 Wire range: 24-18AWG 0.75mm²

- Mechanical
 Operating temperature:-30℃~+105℃
 Soldering temperature:250℃±5/5sec
 Strip length: 7mm



GENERAL TOLERANCE	ANGLE TOLERANCE	UNITS	SCALE
X: ±0.5	X: ±5'	mm	1:1
X: ±0.3	X: ±3'	mm	SHEET 1 OF 1
.XX ±0.1	.XX ±1'	mm	DRAWING NO. XP0012016-xxxx

PROJECTION	TITLE
mm	KF270-5.0-XXP
SHEET SIZE A4	SERIES KF270

慈溪市凯峰电子有限公司
 CIXI KAIFENG ELECTRONIC CO.,LTD