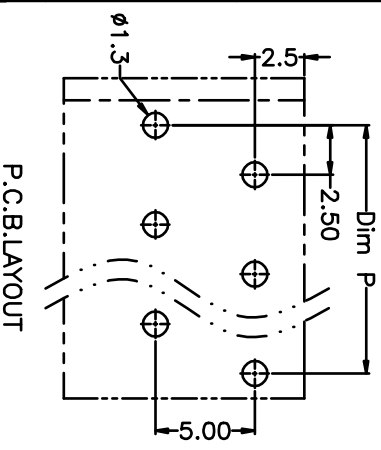
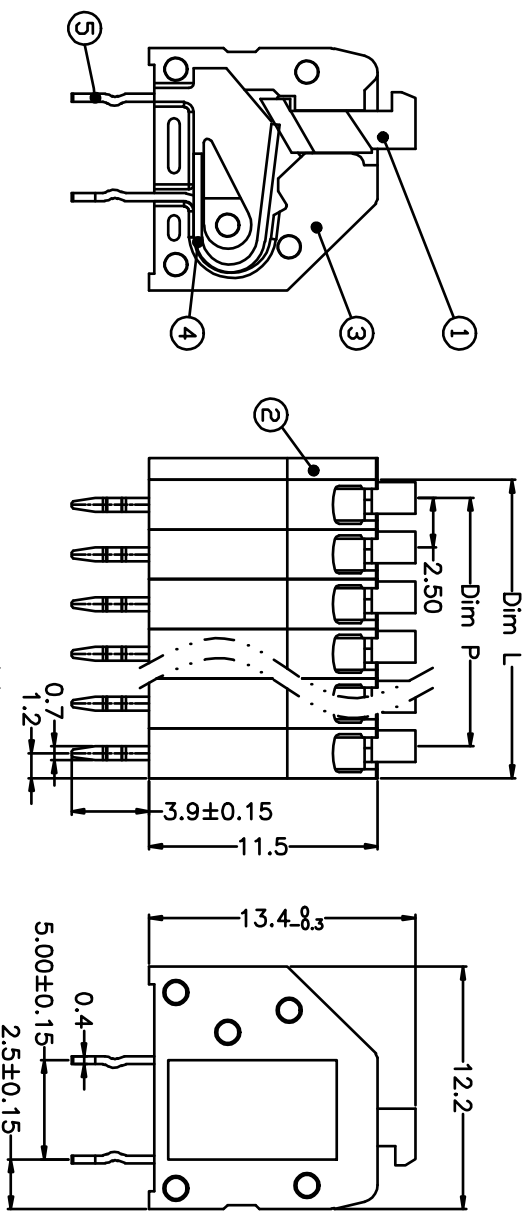
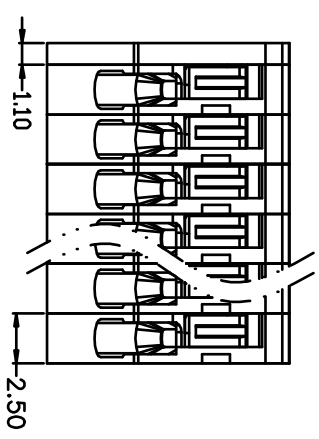


REV.	DESCRIPTION	DATE	DRAWN	APPROVED
A1	DWG.REL	2016/10/7	FANG	YANG



N=Number of Poles
Dim P=(N-1)x2.5
Dim L=Nx2.5

Poles	Dim P	Dim L
2-6P	±0.10	±0.15
7-12P	±0.20	±0.20
13-18P	±0.25	±0.30
19-24P	±0.30	±0.40

GENERAL TOLERANCE		ANGLE TOLERANCE	
X.	±0.5	X.	±5'
X	±0.3	X'	±3'
.XX	±0.1	.XX'	±1'
DRAWING TYPE	CUSTOMER	SCALE	1:1
DRAWING NO.	XP0012016-xxxx	SHEET	1 OF 1

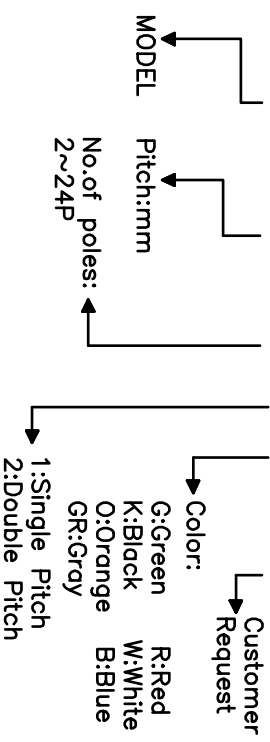
- Material
 - ØButton : PA66, UL94V-0
 - ØCover : PA66, UL94V-0
 - ØHousing : PA66, UL94V-0
 - ØPin header A: Phosphor bronze or Brass, Tin plated
 - ØPin header B : Phosphor bronze or Brass, Tin plated

- Electrical
 - UL IEC
 - Rated voltage : 300V 250V
 - Rated current : 7A 6A
 - Insulation resistance: 500MΩ/DC500V
 - Withstanding Voltage : AC2000V/1min
 - Wire range: 24-18AWG 0.5mm²

- Mechanical
 - Operating temperature: -40°C~+105°C
 - Soldering temperature: 250°C±5/5sec
 - Strip length: 8-9mm

HOW TO ORDER

KF250A-2.5-XXP-1 X-XXXXX



PROJECTION	TITLE
UNITS mm	KF250A-2.5-XXP
SHEET SIZE A4	SERIES KF250A

凯峰 慈溪市凯峰电子有限公司
KAIFENG ELECTRONIC CO.,LTD
CIXI KAIFENG ELECTRONIC CO.,LTD