

REV.	DESCRIPTION	DATE	DRAWN	APPROVED
A1	DWG.REL	2016/10/7	FANG	YANG

- Material
 - ①Button : PA66, UL94V-0
 - ②Cover : PA66, UL94V-0
 - ③Housing : PA66, UL94V-0
 - ④Reed : Stainless steel
 - ⑤Pin header : Brass, Tin plated

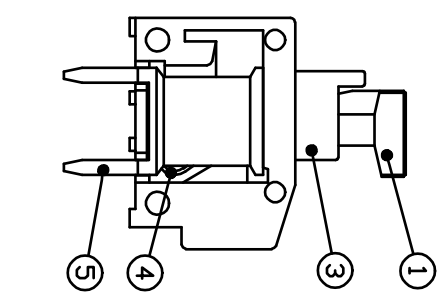
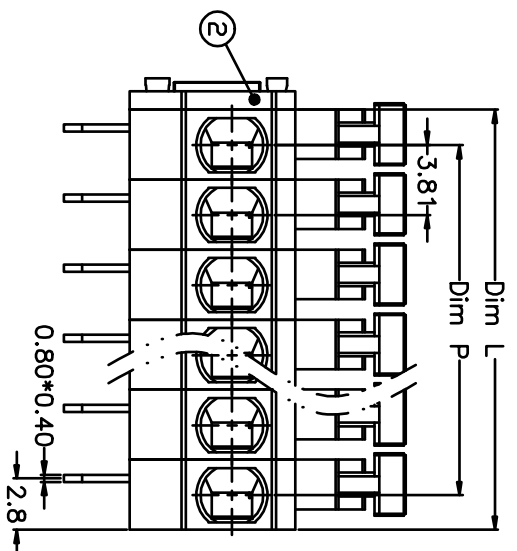
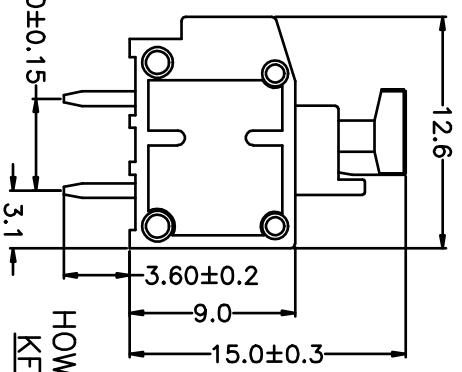
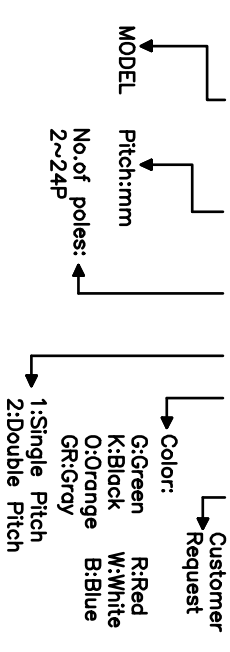
- Electrical

UL	IEC
Rated voltage : 300V	250V
Rated current : 5A	10A
Insulation resistance: 500MΩ/DC500V	
Withstanding Voltage : AC2000V/1min	
Wire range: 20-18AWG	1.5mm ²

- Mechanical
 - Operating temperature: -40°C~+105°C
 - Soldering temperature: 250°C±5/5sec
 - Strip length: 8-9mm

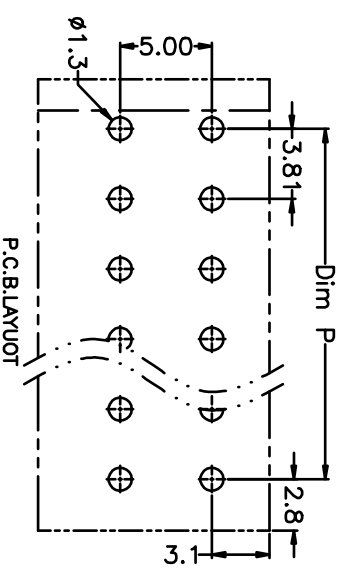
HOW TO ORDER

KF124B-3.81-XXP-1 X-XXXXX



N=Number of Poles
Dim P=(N-1)x3.81
Dim L=Nx3.81

Poles	Dim	Dim P	Dim L
2-6P		±0.10	±0.15
7-12P		±0.20	±0.20
13-18P		±0.25	±0.30
19-24P		±0.30	±0.40



GENERAL TOLERANCE ANGLE TOLERANCE

X.	±0.5	X.	±5°
.X	±0.3	.X.	±3°
.XX	±0.1	.XX.	±1°

DRAWING TYPE	CUSTOMER	SHEET	1 OF 1
SCALE	1:1	SHEET	1 OF 1
DRAWING NO.	XP0012016-xxxx		

PROJECTION	TITLE
UNITS	KF124B-3.81-XXP
SHEET SIZE	A4
SERIES	KF124B

凯峰电子有限公司
CIXI KAIFENG ELECTRONIC CO.,LTD