

REV.	DESCRIPTION	DATE	DRAWN	APPROVED
A1	DWG.REL	2016/10/7	FANG	YANG

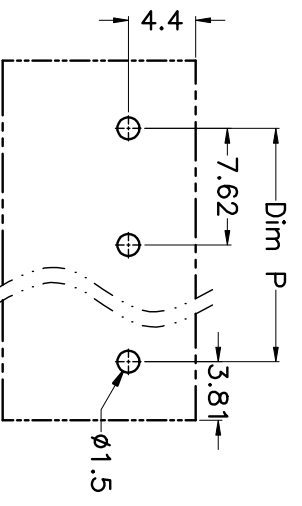
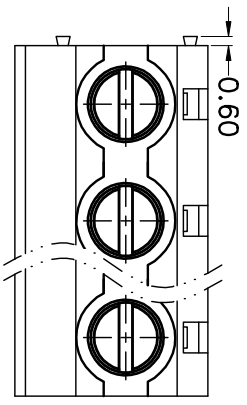
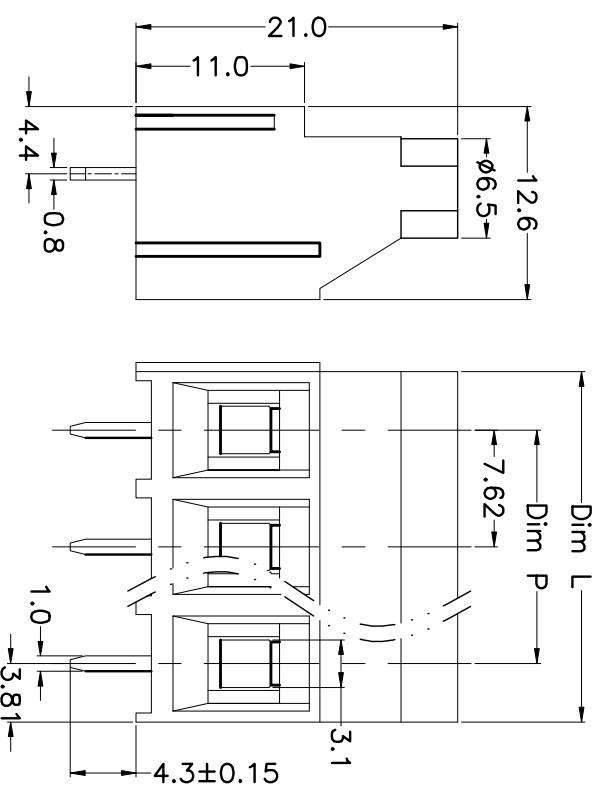
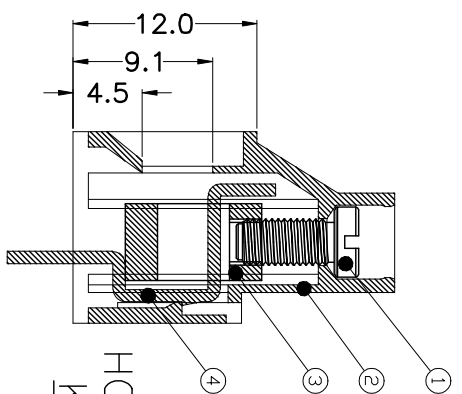
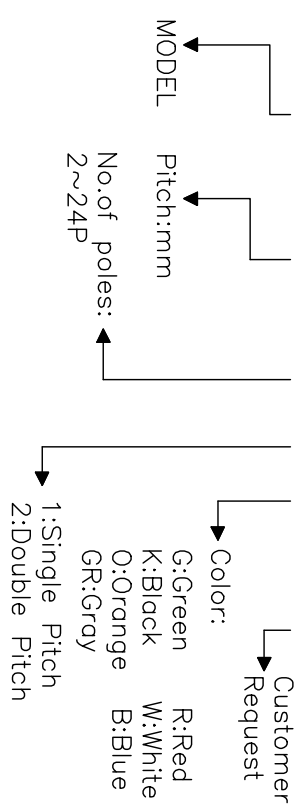
- Material
 - ① Screws : M3.0 steel, Zinc plated,
 - “-” slot type
 - ② Housing : PA66, UL94V-0
 - ③ Clamp : Brass, Ni plated
 - ④ Pin header : Brass, Tin plated

- Electrical
 - UL IEC
 - Rated voltage : 300V 630V
 - Rated current : 30A 32A
 - Insulation resistance: 500MΩ/DC500V
 - Withstanding Voltage : AC3000V/1min
 - Wire range: 26-10AWG 4.0mm²

- Mechanical
 - Operating temperature: -40°C to +105°C
 - Soldering temperature: 250°C ± 5/5sec
 - Torque: 0.5N.m (4.43lb.in)
 - Strip length: 6-7mm

HOW TO ORDER

KF950A-7.62-XXP-1 X-XXXXX



N=Number of Poles
Dim P=(N-1)x7.62
Dim L=Nx7.62

Poles	Dim P	Dim L
2-6P	±0.10	±0.15
7-12P	±0.20	±0.20
13-18P	±0.25	±0.30
19-24P	±0.30	±0.40

GENERAL TOLERANCE

ANGLE TOLERANCE	±5'	±3'	±1'
X.	±0.5	X.	±3'
.X	±0.3	X.	±3'
.XX	±0.1	.XX	±1'

DRAWING TYPE	CUSTOMER	SHEET	OF
SCALE	1:1	1	1
DRAWING NO.	XP0012016-xxxx		

PROJECTION	TITLE
UNITS: mm	KF950A-7.62-XXP
SHEET SIZE: A4	SERIES: KF950A

KF 慈溪市凯峰电子有限公司
KAIFENG ELECTRONIC CIXI KAIFENG ELECTRONIC CO.,LTD