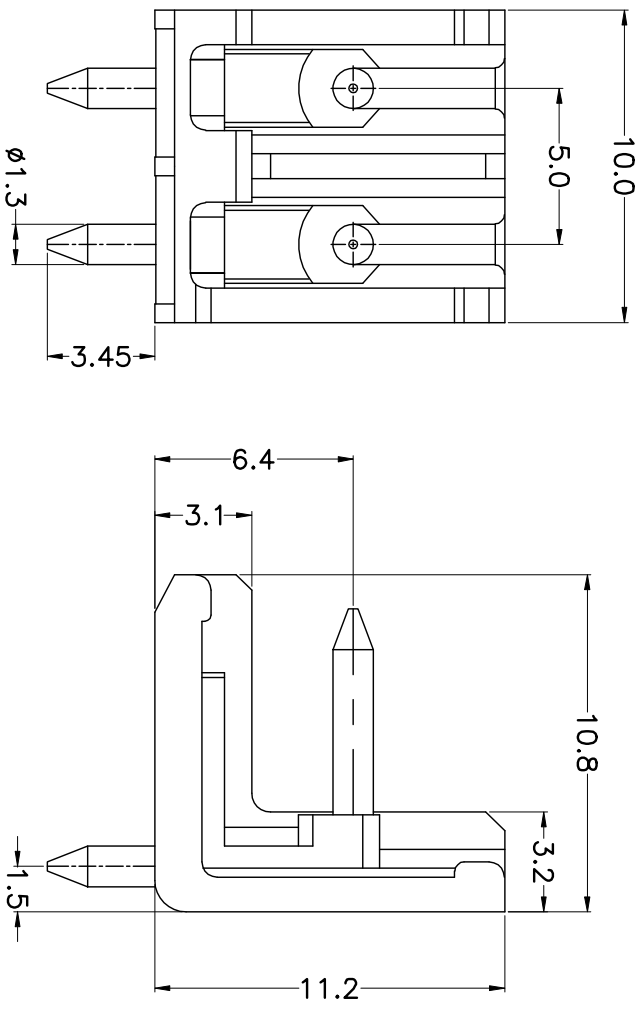


REV.	DESCRIPTION	DATE	DRAWN	APPROVED
A1	DWG.REL	2016/10/7	FANG	YANG



- Material  
Pin header : Brass, Tin plated  
Housing : PA66, UL94V-0
- Electrical  
UL IEC  
Rated voltage : 300V 250V  
Rated current : 10A 12A  
Insulation resistance: 500MΩ/DC500V  
Withstanding Voltage : AC2000V/1min
- Mechanical  
Operating temperature:  $-40^{\circ}\text{C}$  ~  $+105^{\circ}\text{C}$   
Soldering temperature:  $250^{\circ}\text{C} \pm 5 / 5\text{sec}$

GENERAL TOLERANCE	ANGLE TOLERANCE	TOLERANCE
X: $\pm 0.5$	X: $\pm 5^{\circ}$	$\pm 5^{\circ}$
X: $\pm 0.3$	X: $\pm 3^{\circ}$	$\pm 3^{\circ}$
.XX: $\pm 0.1$	.XX: $\pm 1^{\circ}$	$\pm 1^{\circ}$

DRAWING TYPE	CUSTOMER
SCALE	1:1
DRAWING NO.	XP0012016-xxxx

PROJECTION	TITLE
UNITS	KF332N1-5.0-2P
SHEET SIZE	A4
SHEET	SERIES
1 OF 1	KF332N1

**KAIFENG ELECTRONIC**  
**慈溪市凯峰电子有限公司**  
 CIXI KAIFENG ELECTRONIC CO.,LTD