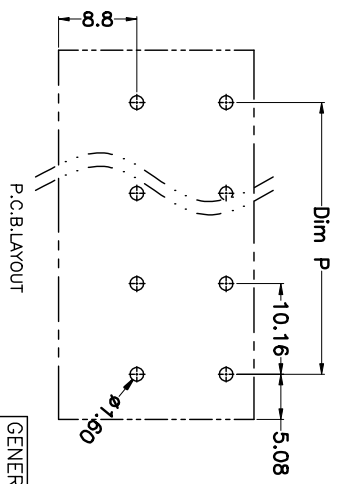
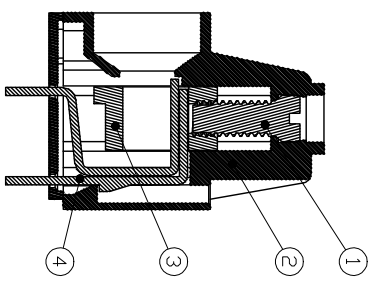
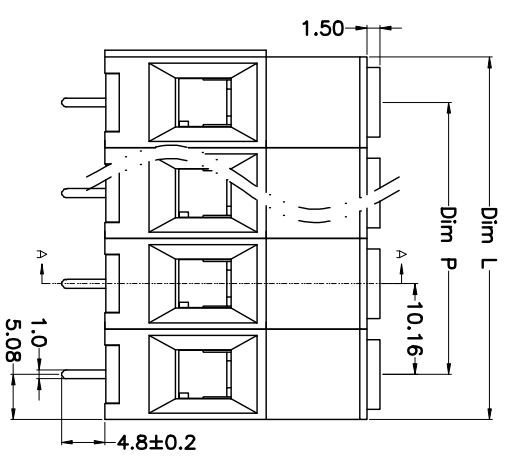
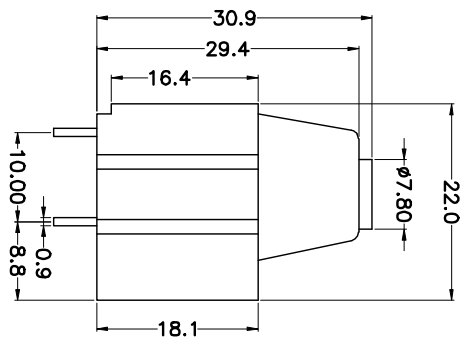
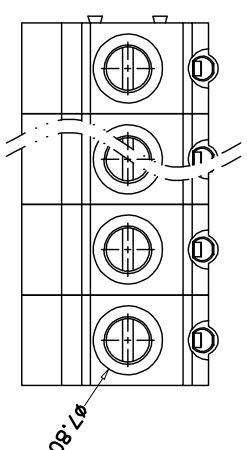


REV.	DESCRIPTION	DATE	DRAWN	APPROVED
A1	DWG.REL	2016/10/7	FANG	YANG



N=Number of Poles
Dim P=(N-1)×10.16
Dim L=N×10.16

Poles	Dim P	Dim L
2-6P	±0.10	±0.15
7-12P	±0.20	±0.20
13-18P	±0.25	±0.30
19-24P	±0.30	±0.40

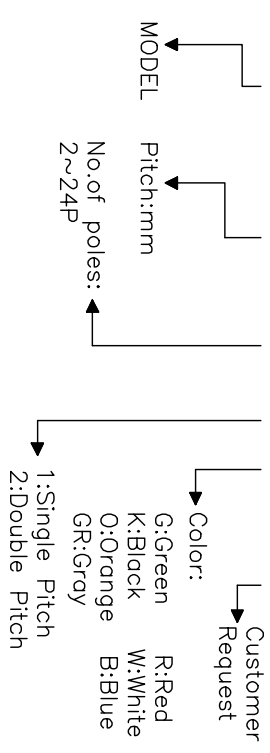
- Material
 - ①Screws : M4.0 steel, Zinc plated,
 - “—” slot type
 - ②Housing : PA66, UL94V-0
 - ③Clamp : Brass, Ni plated
 - ④Pin header : Brass, Tin plated

- Electrical UL IEC
 - Rated voltage : 600V 500V
 - Rated current : 65A 65A
 - Insulation resistance: 500MΩ/DC500V
 - Withstanding Voltage : AC3000V/1min
 - Wire range: 20-6AWG 16.0mm²

- Mechanical
 - Operating temperature:-40℃~+105℃
 - Soldering temperature:250℃±5/5sec
 - Torque: 1.2N.m (10.53Lb.in)
 - Strip length: 10mm

HOW TO ORDER

KF136HT-10.16-XXP-1 X-XXXXX



GENERAL TOLERANCE ANGLE TOLERANCE

X.	±0.5	X.	±5'
.X	±0.3	.X'	±3'
.XX	±0.1	.XX'	±1'

PROJECTION

UNITS	TITLE
mm	KF136HT-10.16-XXP

SHEET SIZE A4 SERIES KF136HT

DRAWING TYPE	CUSTOMER
SCALE	1:1 SHEET 1 OF 1
DRAWING NO.	XP0012016-xxxx

KF 慈溪市凯峰电子有限公司
KAIFENG ELECTRONIC CIXI KAIFENG ELECTRONIC CO.,LTD