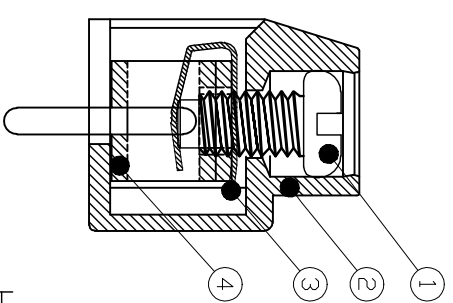
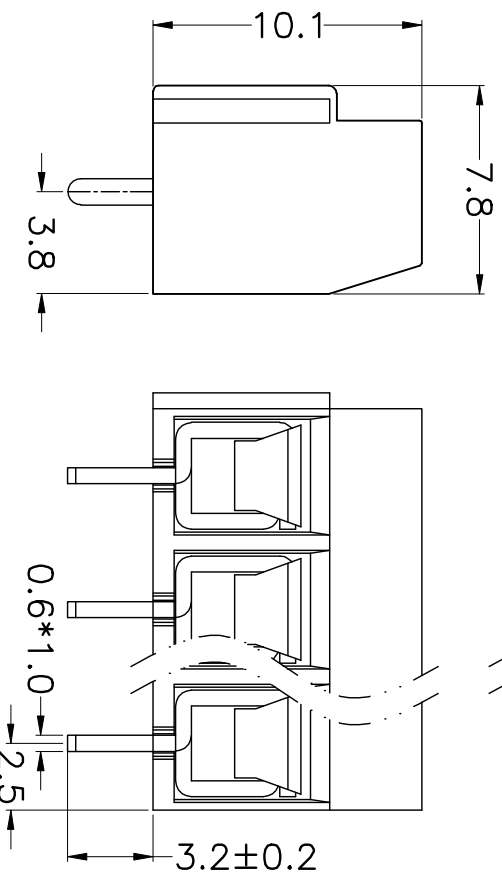
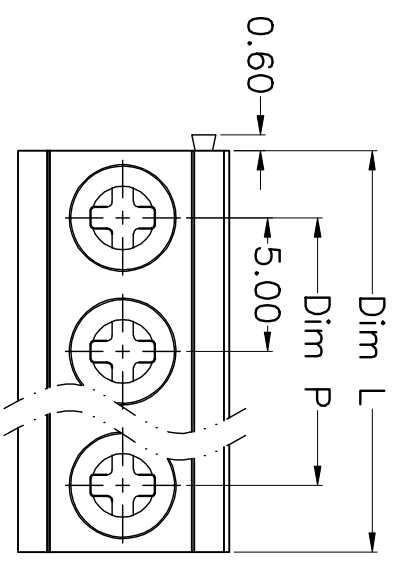


REV.	DESCRIPTION	DATE	DRAWN	APPROVED
A1	DWG.REL	2016/10/7	FANG	YANG



- Material
 - ①Screws : M2.5 steel, Zinc plated,
 - “-/+” slot type
 - ②Housing : PA66, UL94V-0
 - ③Reed : Phosphor bronze, Ni plated or stainless steel
 - ④Pin header : Brass, Tin plated

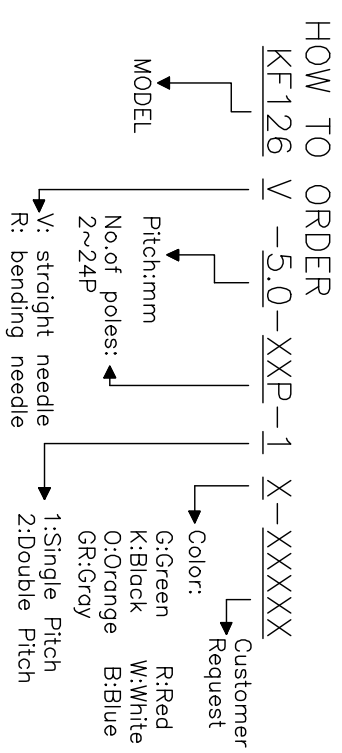
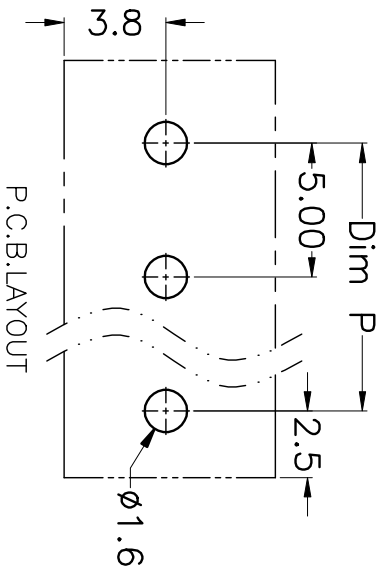
- Electrical

UL	IEC
Rated voltage : 300V	250V
Rated current : 10A	18A
Insulation resistance: 500MΩ/DC500V	
Withstanding Voltage : AC2000V/1min	
Wire range: 20-14AWG	2.5mm ²

- Mechanical
 - Operating temperature: -40℃**CS**+105℃
 - Soldering temperature: 250℃**CS**±5/5sec
 - Torque: 0.4N.m (3.54Lb.in)
 - Strip length: 6-7m

N=Number of Poles
Dim P=(N-1)×5.00
Dim L=N×5.00

Poles	Dim P	Dim L
2-6P	±0.10	±0.15
7-12P	±0.20	±0.20
13-18P	±0.25	±0.30
19-24P	±0.30	±0.40



PROJECTION	TITLE
UNITS	KF126V-5.0-XXP
SHEET SIZE	A4
SERIES	KF126V

GENERAL TOLERANCE		ANGLE TOLERANCE	
X.	±0.5	X.	±5'
.X	±0.3	.X	±3'
.XX	±0.1	.XX	±1'
DRAWING TYPE	CUSTOMER	SCALE	1:1
SHEET	1 OF 1	DRAWING NO.	XP0012016-xxxx

KALTRON ELECTRONIC **慈溪市凯峰电子有限公司**
CIXI KAIFENG ELECTRONIC CO.,LTD